



SIEMENS



Totally Integrated Power – SIVACON 8PS

Serving up power supply systems for the food and beverage industries

BD01, BD2, LD and LI busbar trunking systems

[siemens.com/busbar](https://www.siemens.com/busbar)



Totally Integrated Power

Totally Integrated Power (TIP) stands for integrated power supply solutions for industries, buildings, and facilities. Siemens' comprehensive electrification portfolio enables a reliable, safe, and efficient power supply using software and hardware products, systems, and solutions for all voltage levels. TIP comprises everything it takes to supply power for challenging environments. Smart interfaces to industrial and building automation systems are the key to tapping the full potential offered by an integrated power supply solution. The portfolio is rounded out by comprehensive support throughout the entire lifecycle – from planning to maintenance.

Robust and flexible busbar trunking systems – purpose-designed for the food and beverage industry

TIP includes the economical, reliable SIVACON 8PS busbar trunking systems – solutions specially tailored to meet the needs of the food and beverage industry. The BD01, BD2, LD and LI busbar trunking systems support high production quality by providing safe, reliable and flexible power distribution.



SIVACON 8PS busbar
trunking systems:
For safe power flows

SIVACON 8PS busbar trunking systems

Economic power supply for the food and beverage industry

The BD01, BD2, LD and LI busbar trunking systems offer comprehensive optimization across the entire value chain, and support lasting success despite the continuously growing diversity of products and packaging.

Flexible production, low costs

Not only can the tailored systems of our SIVACON 8PS family reduce the costs of conversion, they can also boost the flexibility of your manufacturing at the same time. As a result, it's easy for you to adapt your production to the dynamics of today's consumer behaviour.

High efficiency

From reducing procurement and operating costs to preventive and corrective maintenance, there are many different ways to reduce total cost of ownership (TCO). But the more globally active a company, the more difficult it is to implement uniform, standardised power supply solutions. As a partner of the food and beverage industry, we help industry players with our solid sector expertise and tailored solutions that allow them to easily and reliably meet this challenge.

SIVACON 8PS Benefits at a glance

Economic advantages

- Simple planning, less time and effort
- Clearly arranged installation
- High level of flexibility for planning and operation
- Power transparency through communication-capable measuring and switching devices

System and operational safety

- Design verified low-voltage busbar trunking systems
- Low fire load

Reliability

- High short-circuit rating
- Easy troubleshooting and error correction

Innovation

- Safe and flexible solution compared to cable

One-stop shop

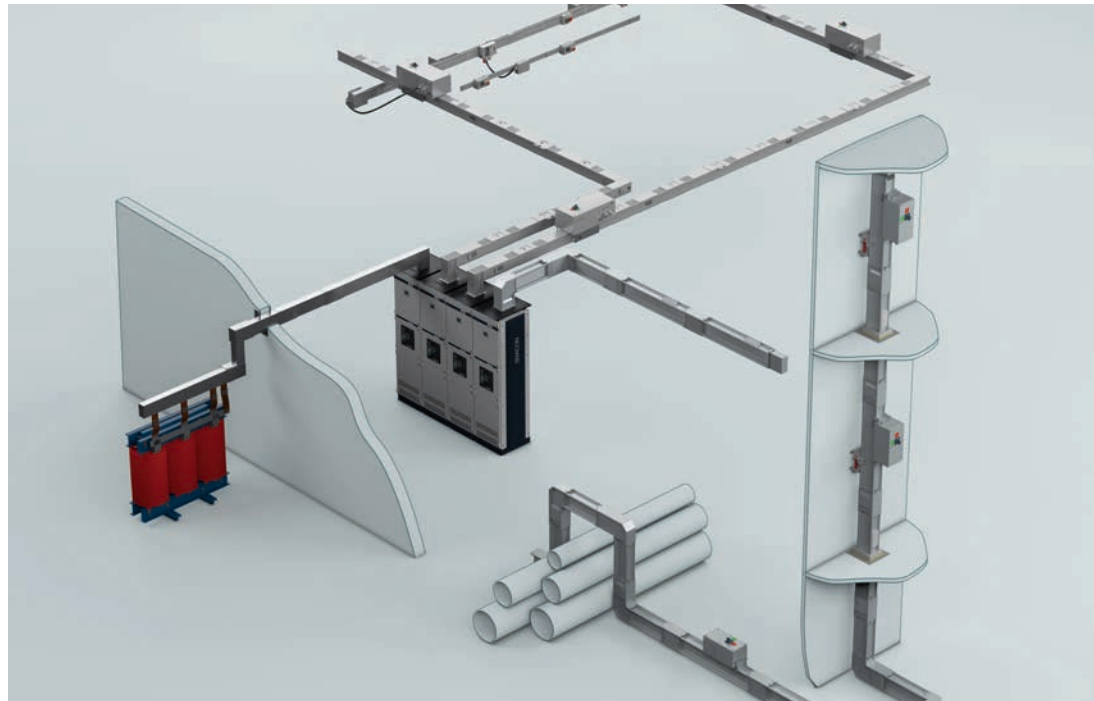
- Support from planning via installation to operation

from left:

End-to-end power distribution
with the SIVACON 8PS busbar
trunking systems

LI system:
Tap-off unit with measuring
device

LI system:
Junction unit



Broad flexibility to accommodate product-related changes in manufacturing

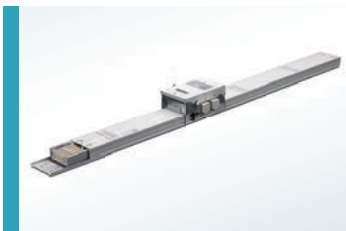
Our SIVACON 8PS busbar trunking systems enable simple, fast replanning of large and small production lots – flexibly but also efficiently.

Systematic solutions

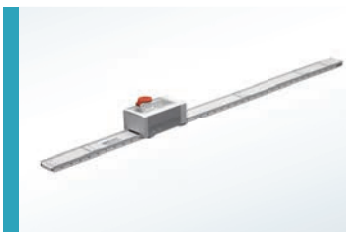
Especially where large power volumes are required, our LD and LI systems supply power to high-performance consumers or feed the smaller BD01 and BD2 systems. These allow flexible power supply in production areas requiring low power volumes, providing tap-off units fitted with CEE sockets so that power is available everywhere at all times. Workflows can be tremendously accelerated in this way – a major advantage in production.

More economical than cable

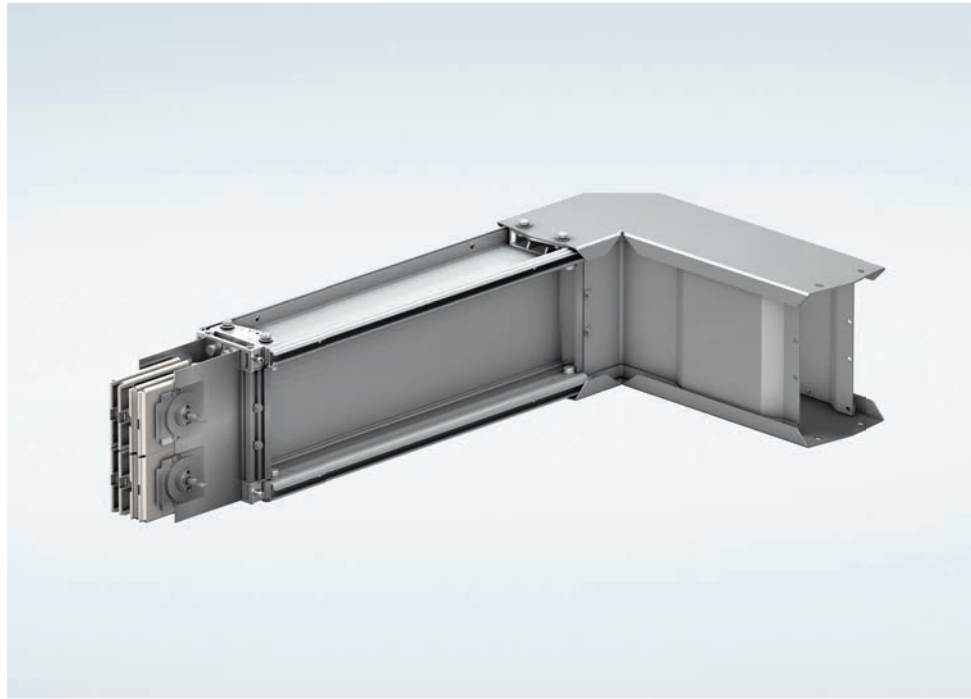
With their standardised modules, the SIVACON 8PS systems facilitate quicker and thus less expensive planning and installation. The current carrying capacity of clustered cables is reduced as a result of the thermal energy that arises, so that greater space is required for the installation. Busbar trunking systems offer a space-saving solution in the high current range.



BD2 system, 160 A to 1250 A



BD01 system, 40 A to 160 A



Faster and more flexible at lower cost

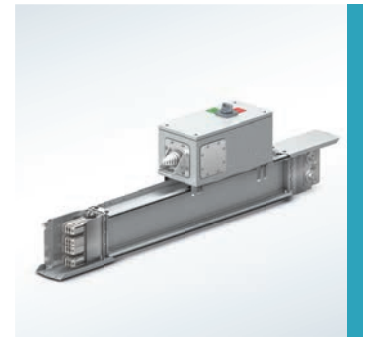
With busbar trunking systems, installation can be simplified due to the large fixing distances. Power is tapped off where it is needed via dedicated tap-off units. A huge advantage is that tap-off units can be plugged on and off in no-load, but energised condition¹⁾ – without interrupting the system power supply. System transparency remains unaffected, so that changes of load and system expansion can be implemented at any time. As a result, these busbar trunking systems enable clearly designed network structures and flexible power tapping, even when expansions and adjustments are made.

Systematic cost cutting

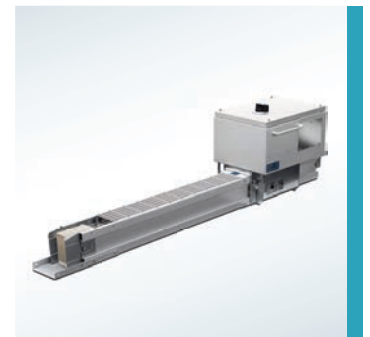
Communication-capable switching and measuring devices that deliver data for energy management systems in accordance with ISO 50001 can be integrated into the tap-off units. The improved ability to assign specific switching devices to specific consumers enhances operating transparency and error correction. Taking the greater flexibility of system operation into account, the busbar trunking system is clearly more economical than a cable installation.

Support for a comprehensive power supply

As an experienced partner of leading food and beverage producers around the world, we develop power supply solutions that can reduce energy consumption and costs over the long term.



LI system, 800 A to 6300 A



LD system, 1100 A to 5000 A

¹⁾ In accordance with EN 50110-1 (VDE 0105-1); please always observe all national regulations/standards



Safety at every level

Reliable power supply for production machinery

Cooling units and ovens in electrical systems must be designed with a secure, reliable power supply. Solutions with busbar trunking systems enable quick replacement of the appropriate switching devices on site, thus reducing production downtimes.

Precise assignment of tap-off units with their specific switching and measuring devices to the electrical consumers and their data transmission reduces the risk of operating errors.

Enhanced safety for personnel and machinery

SIVACON 8PS busbar trunking systems are low-voltage switchgear and controlgear assemblies with high short-circuit ratings that have been design verified in compliance with IEC 61439-1/-6. The low fire load thanks to the metal housing of the busbar trunking units ensures a high level of fire protection.

The BD01, BD2 and LI systems offer high degrees of protection up to IP55, while the LD system is rated to IP54. In the LI system, purely power transmission runs can be rated even to IP66. In the ventilated LD system, the epoxy coating of the conductors offers additional protection against water, so that the system is suitable for use where sprinklers are installed. The LI system can be operated to full load at high temperatures of up to 40°C without power loss.

Support

Time optimization with Siemens as your expert partner at your side

SIVACON 8PS busbar trunking systems on the Internet

Our website offers you a wide range of promotional and technical information as well as helpful tools for the SIVACON 8PS busbar trunking systems.

[siemens.com/busbar](https://www.siemens.com/busbar)



Convenient planning using SIMARIS tools

Planning of electrical power distribution for industrial plants, infrastructure and buildings is increasingly complex. Innovative SIMARIS software tools provide effective support for your planning process enabling you, the electrical designer, to work better and faster under the given conditions.

- **SIMARIS design**

Dimensioning electricity networks and selecting components automatically

- **SIMARIS project**

Calculating space requirements and budgeting for power distribution

- **SIMARIS sketch**

Creating 3D line routing plans for the BD01, BD2, LD and LI busbar trunking systems

[siemens.com/simaris](https://www.siemens.com/simaris)

Technical documentation on the Internet

An up-to-the-minute overview of the available technical documentation of the SIVACON 8PS busbar trunking systems is available on the Internet at

[siemens.com/lowvoltage/product-support](https://www.siemens.com/lowvoltage/product-support)

Tender specifications

We offer you a comprehensive range of tender specification texts to assist at

[siemens.com/specifications](https://www.siemens.com/specifications)

Building on a sound foundation

Our training courses provide you with a solid foundation for your business success.

Experts provide the theoretical and practical knowledge you need for our SIVACON 8PS busbar trunking systems.

[siemens.com/lowvoltage/training](https://www.siemens.com/lowvoltage/training)

Reliable on-site support

Our local experts are there for you worldwide. They help you develop power supply solutions and offer you support with their specialist knowledge in project management and financial services, while always taking important aspects such as safety, logistics, and environmental protection into account.

Expert staff from our TIP Consultant Support unit will provide you with targeted support for the planning and design of electrical power supply systems.

[siemens.com/tip-cs](https://www.siemens.com/tip-cs)

Siemens AG

Energy Management
Mozartstrasse 31 c
91052 Erlangen, Germany
siemens.com/busbar

For more information, please contact
our Customer Support Center.
Phone: +49 (0) 180 524 70 00
Fax: +49 (0) 180 524 24 71
(Charges depending on provider)
E-mail: support.energy@siemens.com

Article No. EMMS-B10031-00-7600
Printed in Germany
hl 15111554 | WS | 02161.0
Subject to change

© 2016 Siemens. All rights reserved.
The information provided in this brochure contains
descriptions or characteristics of performance which
in case of actual use do not always apply as described,
or which may change as a result of further development
of the products. An obligation to provide the respective
characteristics shall only exist if expressly agreed in the
terms of contract.

Read the
QR Code with
the QR Code
Reader!

